



RHINO-RACK®

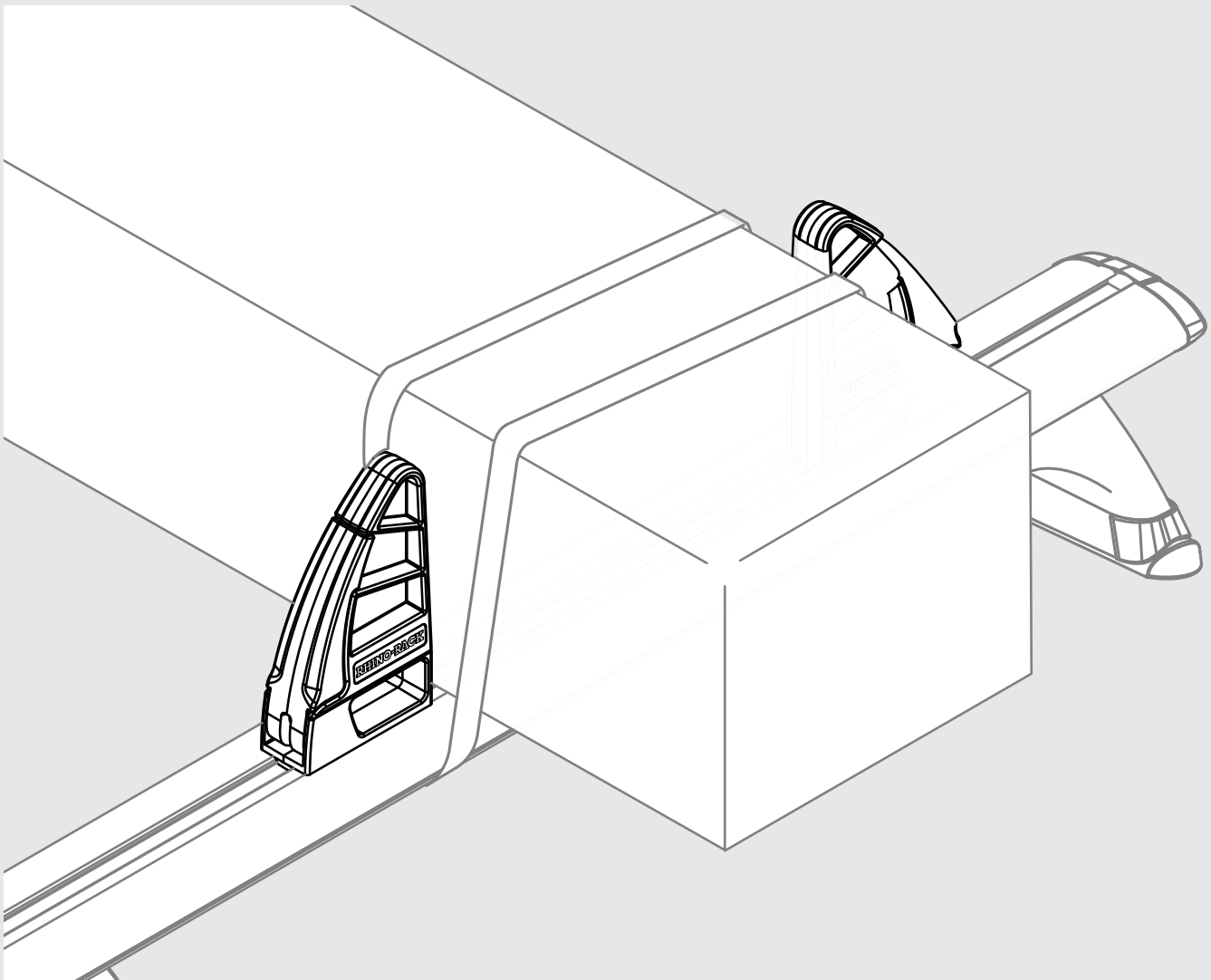
Load Holder

RLH1 / RLH2

Important:

1. Check the Rhino-Rack website to ensure you have the latest issue of these instructions.
2. Please refer to your fitting instruction to ensure that the accessory is installed in the correctly.
3. Check the contents of kit before commencing fitment and report any discrepancies.
4. Place these instructions in the vehicle's glove box after installation is complete.
5. These instructions must be followed for warranty to be upheld.

Fit Time: 10 min



Rhino-Rack AUSTRALIA
22A Hanson Pl,
Eastern Creek, NSW, 2766

Rhino-Rack USA
Unit D, 2450 Airport Blvd,
Aurora, CO, 80011

RHINORACK.COM

Document No: R420
Issue No: 04
Issue Date: 29/11/2022

Warning

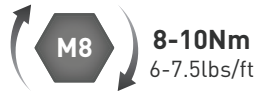
- Do not attempt to fit the accessory to your vehicle unless you fully understand these fitting instructions. Please direct any questions regarding fitting to the dealer from where the product was purchased.
- Off-road conditions can be much more rigorous. Extreme care must be taken in off road conditions.
- Accessory must be removed when vehicle is put through an automatic car wash.
- Always ensure you fasten your load securely.

In service maintenance checks

- All bolted connections should be checked after driving a short distance when you first install your roof racks & accessories.
- All bolted connections should be checked again at regular intervals (every 1000k/621mi) is recommended, depending on road conditions, usage, loads and distances travelled). All bolted connections should be checked each time they are re-fitted.

Torque Settings:

Unless stated otherwise in these instructions, all fasteners should be set to the following torque settings:



Sensitivity to Crosswinds, Behaviour in Curves and Braking.

Remember that the handling characteristics of your vehicle will change when transporting a load on the roof. Exercise extreme care when transporting wind-resisting loads; special consideration must be taken into account when braking.

Note for Dealers and Fitters

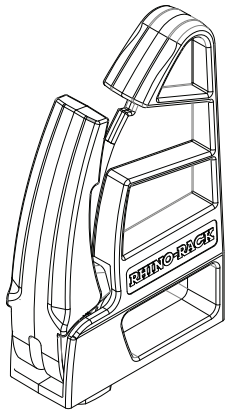
It is your responsibility to ensure these fitting instructions are given to the end user or client. These instructions remain the property of Rhino-Rack Australia Pty. Ltd. and may not be used or changed for any other purpose than intended.

Roof Rack Compatibility

CROSS BARS	Vortex (RLH2)		
	Reconn Deck (RLH2)		
	Heavy Duty (RLH1)		
PLATFORM	Pioneer Platform (RLH2)		
	Accessory Bar (RLH2)		

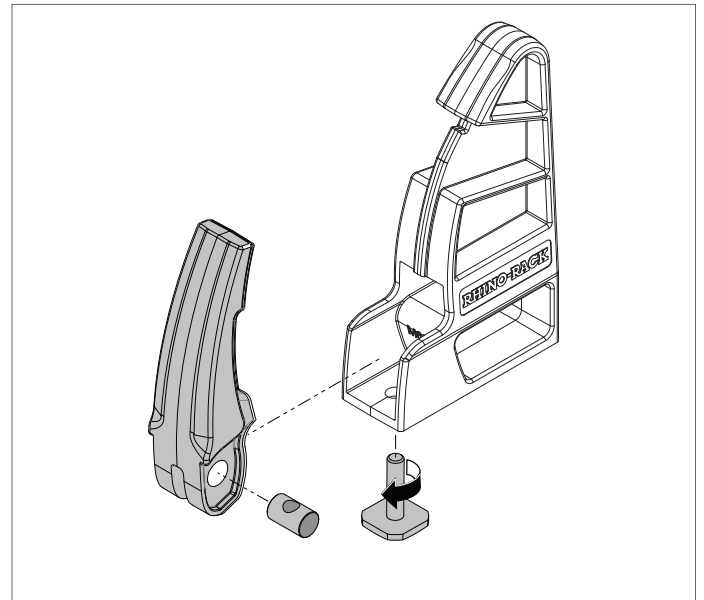
Parts List

Load Holder Assembly

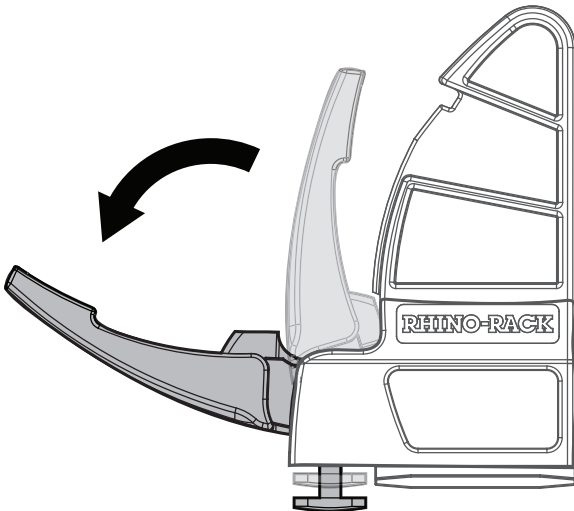


A x2

Disassembly Diagram

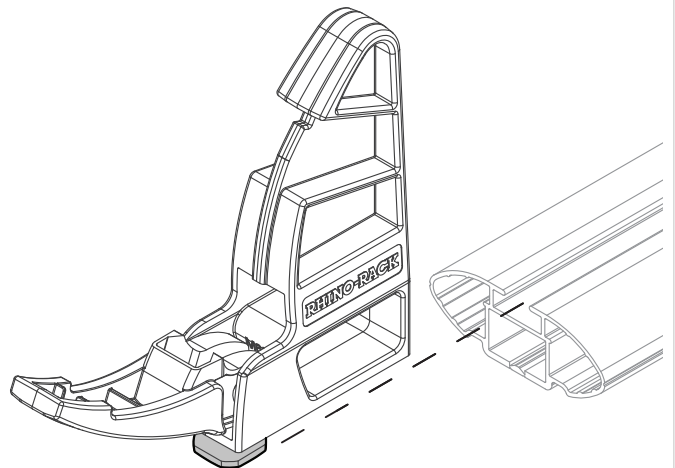


1

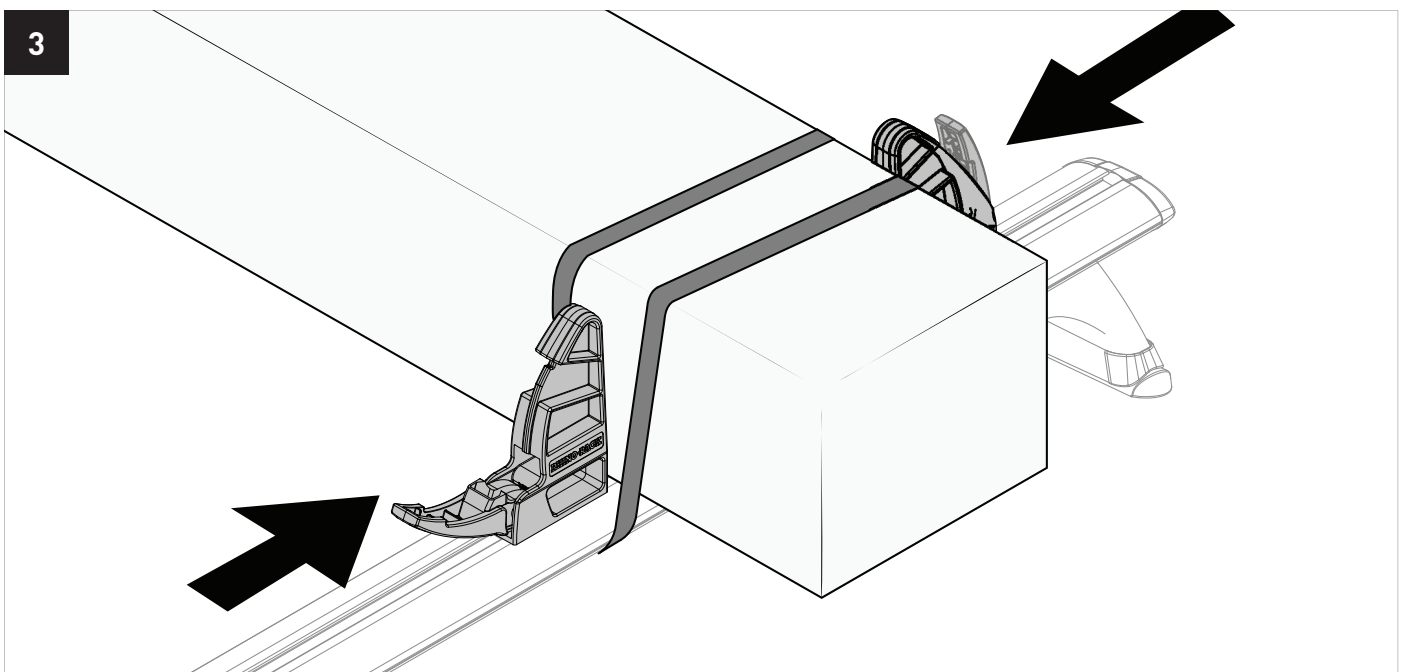


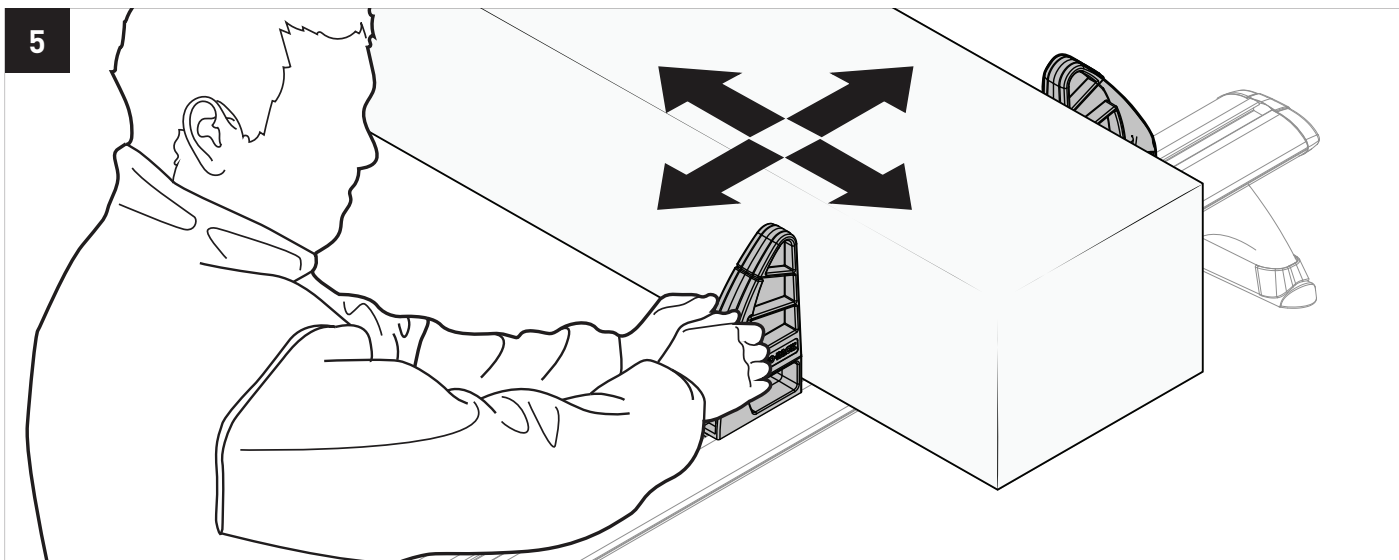
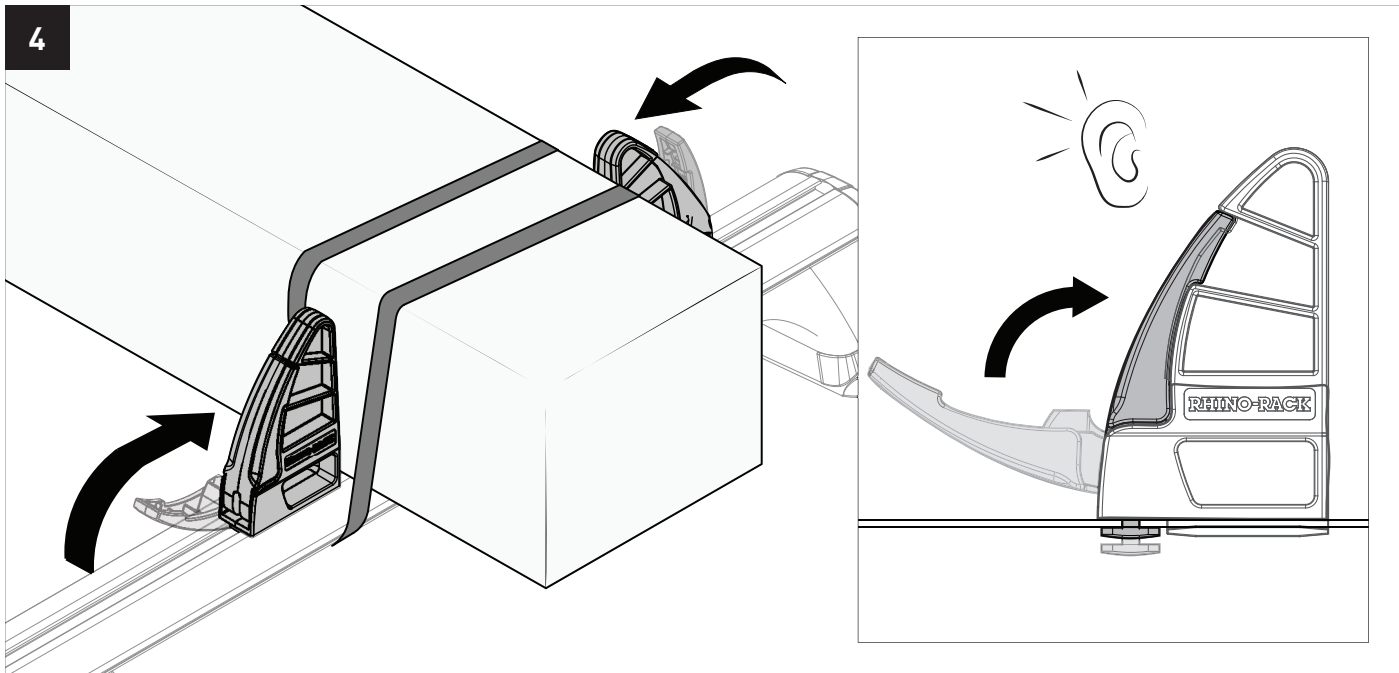
2

Refer to the roof rack compatibility list to install to your roof rack channel




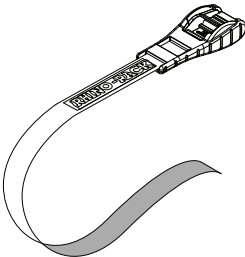
3






NOTE

 Tie down straps may be required to secure load down.



Sold separately



Strap can also be fed through main body if assembly is positioned above a leg.