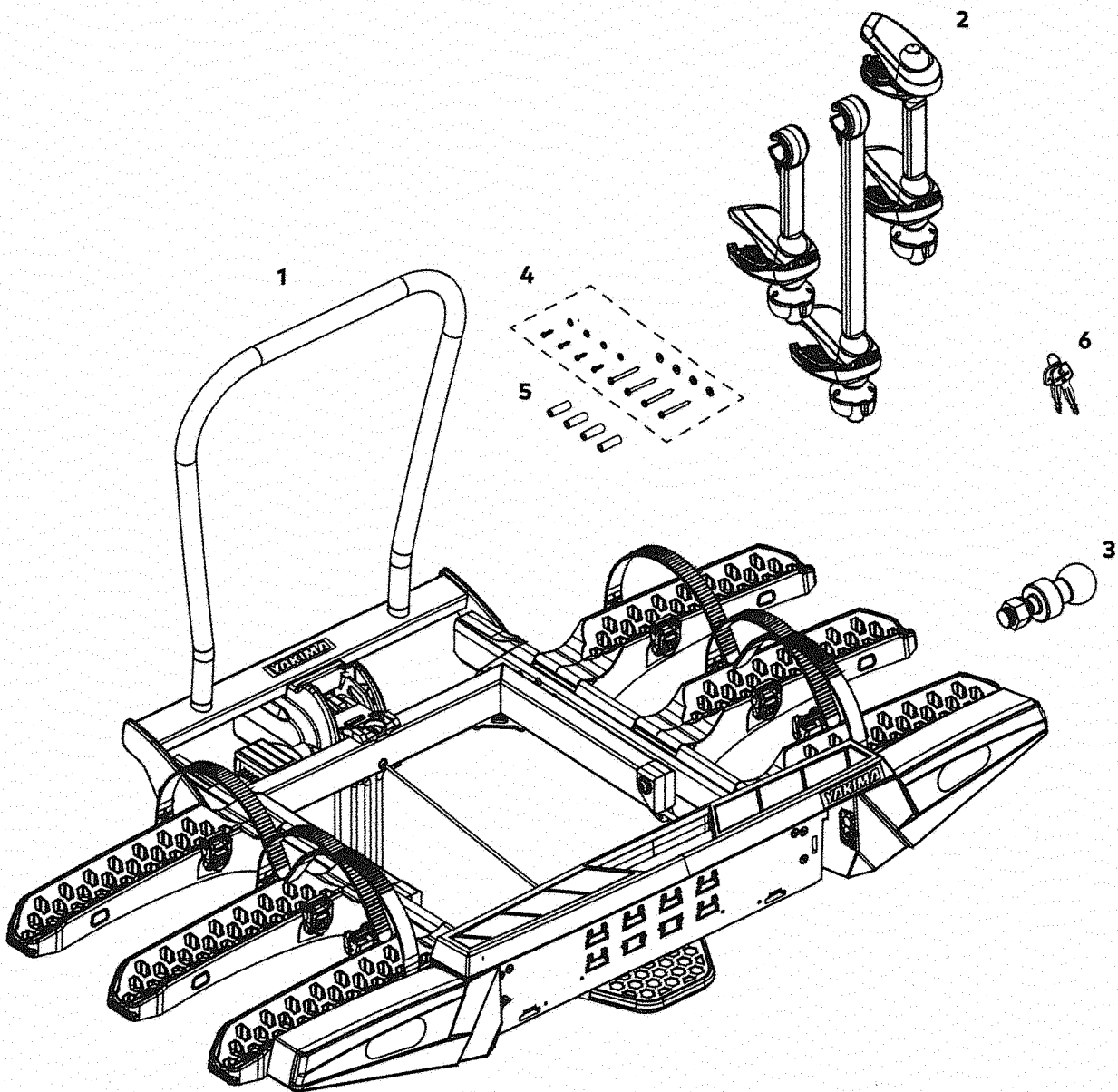


	FoldClick 2	FoldClick 3
50 kg	33.7 kg	31.0 kg
60 kg	43.7 kg	41.0 kg
70 kg	53.7 kg	51.0 kg
80 kg	63.7 kg	61.0 kg

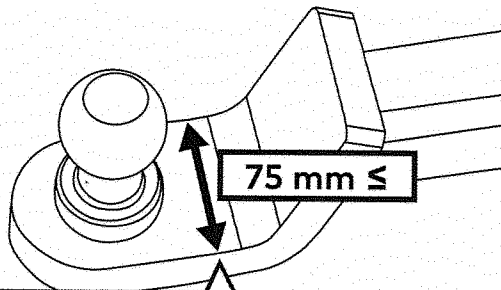
KIT CONTENTS

ITEM	COMPONENT	FoldClick 2	FoldClick 3
1.	FoldClick Bike Assembly	x1	x1
2.	Bike Frame Grabs	x2	x3
3.	Tow Ball 50 mm	x1	x1
4.	Number Plate Fasteners	x16	x16
5.	Number Plate Spacer	x4	x4
6.	Bike Carrier Key Set	x1	x1

NOTE - FoldClick 3 pictured for illustrative purposes

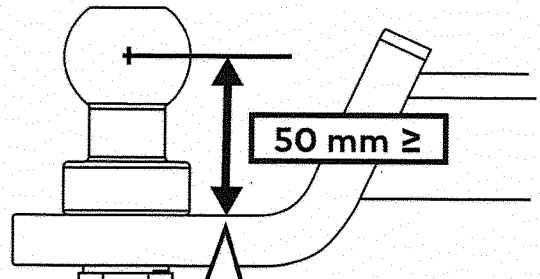


COMPATIBLE TOW BALLS



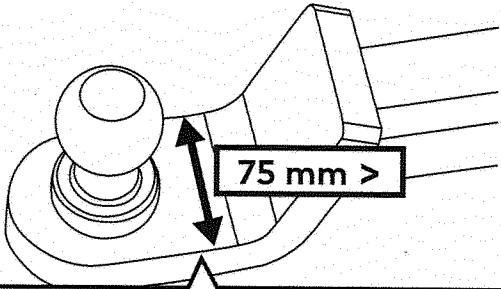
Tongue width less than 75 mm

+



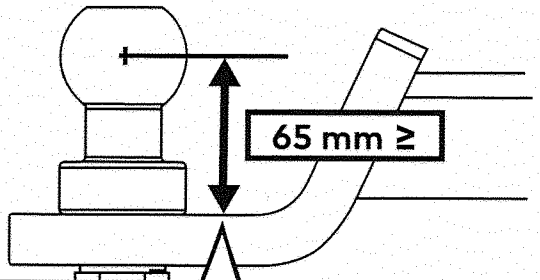
Height from base to center of ball to be 50 mm+

OR



Tongue width greater than 75 mm

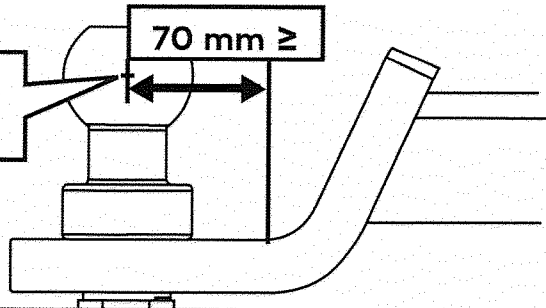
+



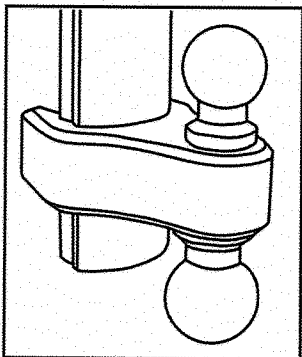
Height from base to center of ball to be 65 mm+

AND

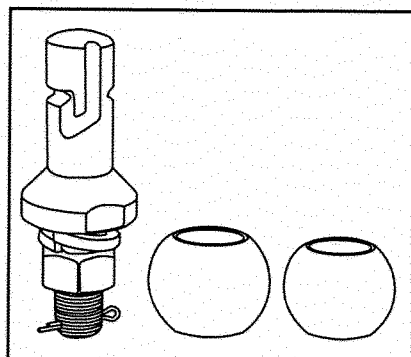
Distance from center of ball to end of flat base to be 70 mm+



INCOMPATIBLE TOW BALLS



Duo and Multi Ball tow balls

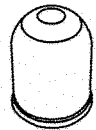


Quick change style tow balls

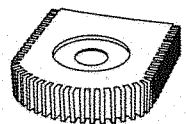
TROUBLESHOOTING



Ensure you have removed the tow ball cover



Ensure you have removed any Shin Guards

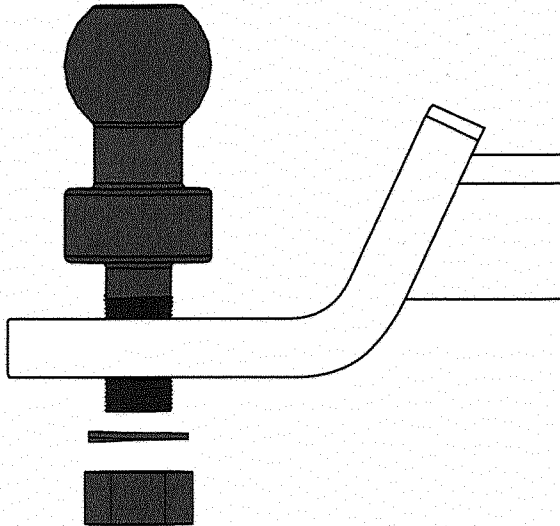


Tow balls with welded supports or tabs often interfere with the plastic covers on the carrier.

INSTALLATION

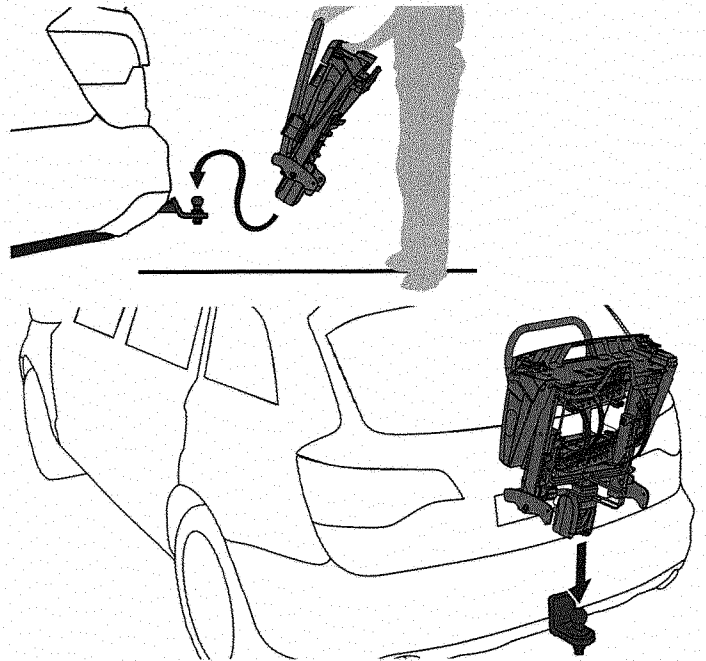
1 INSTALL SUPPLIED TOW BALL

Install supplied Tow Ball to your hitch receiver. Tighten to 200 Nm.



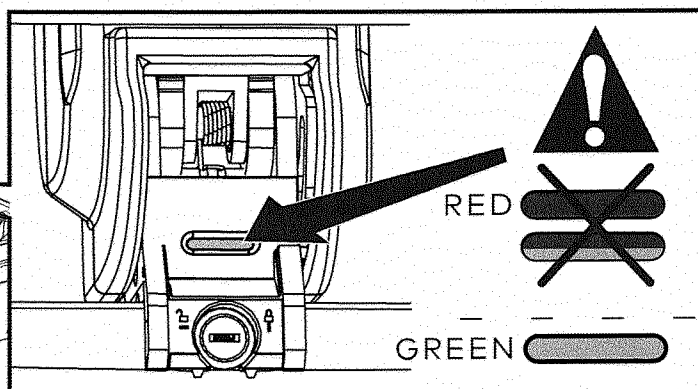
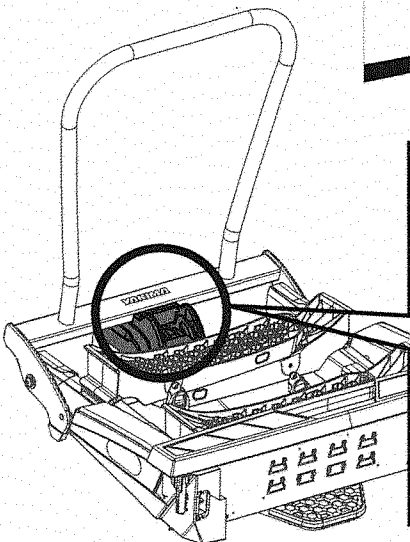
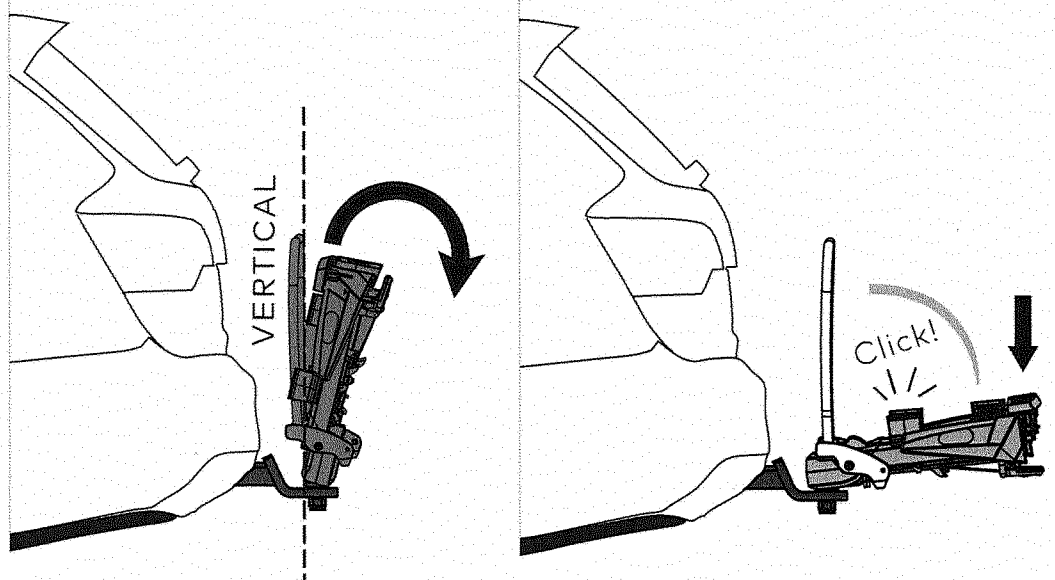
2 PLACE FOLDER CARRIER ONTO TOW BALL

Ensure the carrier remains folded when placing on tow ball.



3 UNFOLD CARRIER

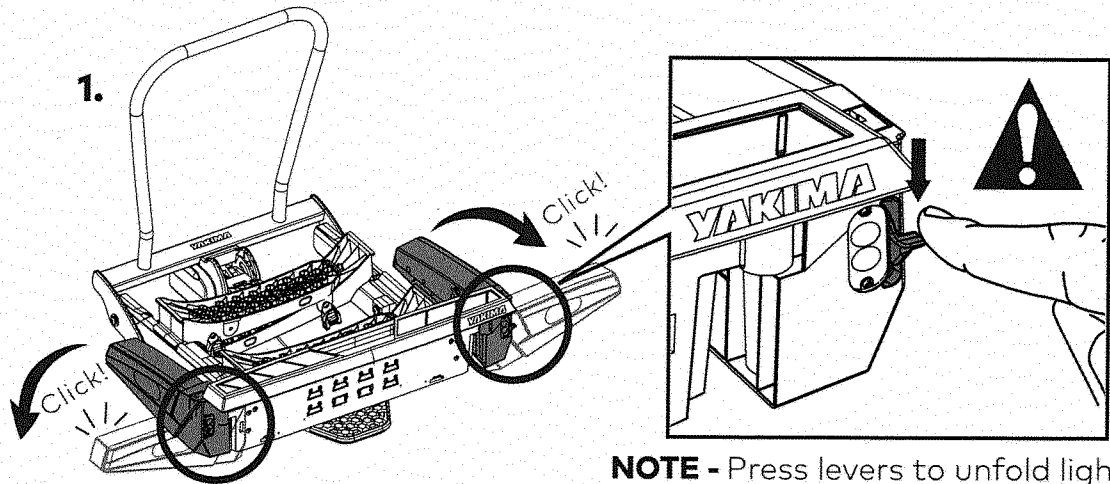
Once the carrier is vertically positioned on the tow ball as pictured, unfold the carrier until a "click" is heard.



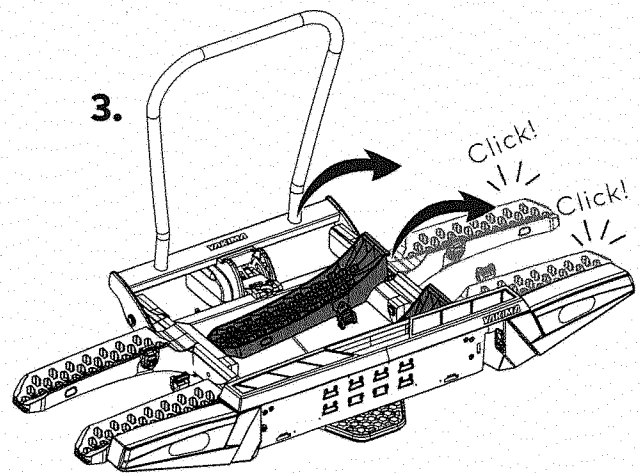
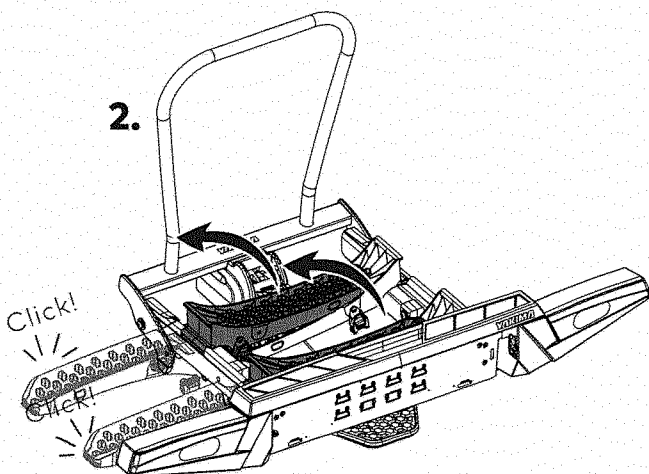
NOTE - Ensure the lock is in the unlock position and the indicator window is completely green.

4 UNFOLD LIGHTS AND WHEEL TRAYS

Unfold lights and wheel trays until a "click" is heard.

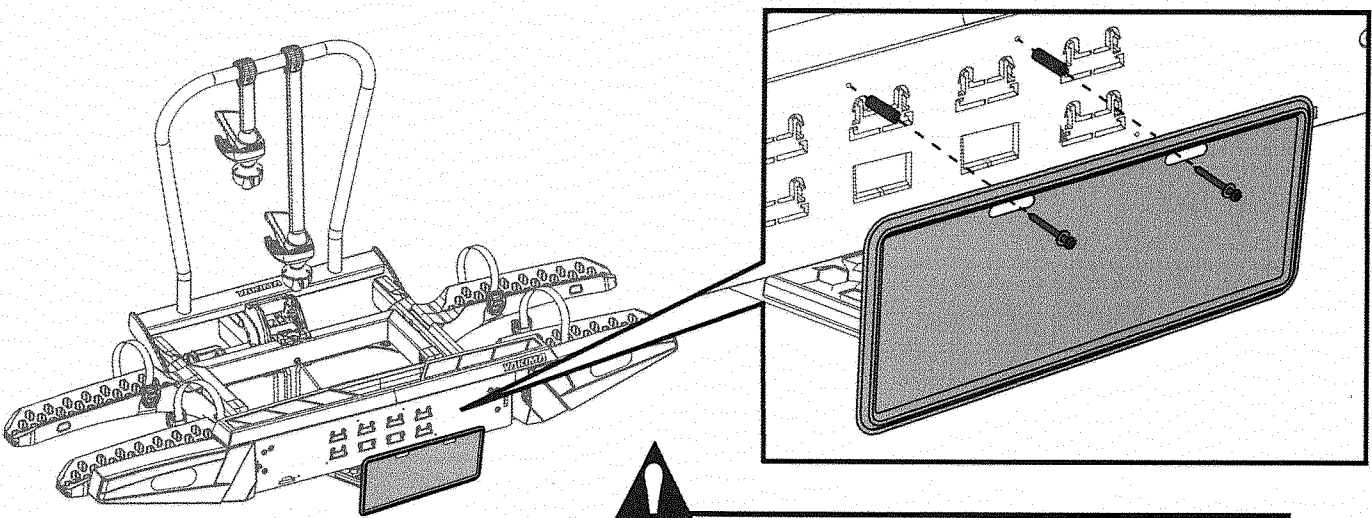


NOTE - Press levers to unfold lights



5 ATTACH NUMBER PLATE

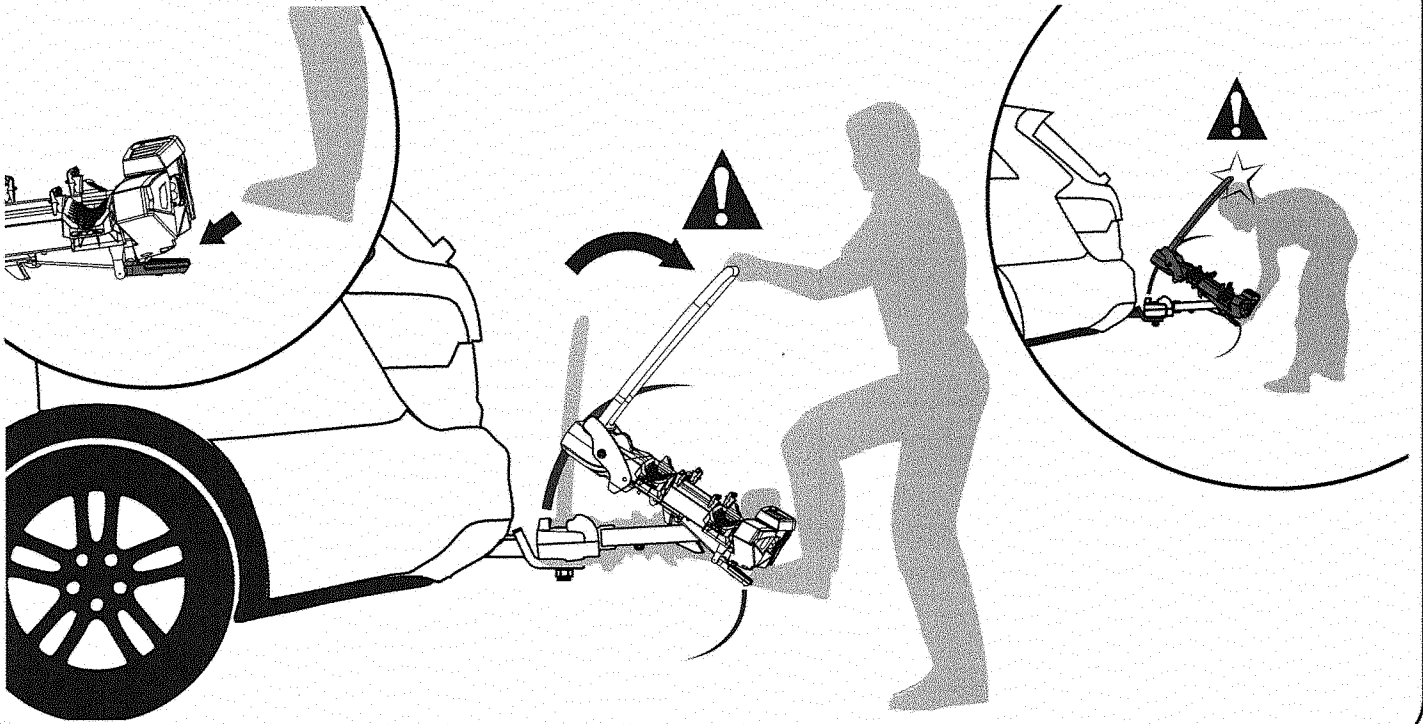
Using the supplied Number Plate Spacers and Fasteners, secure your number plate to the carrier.



Number Plate Spacers must be used to comply with local regulations.

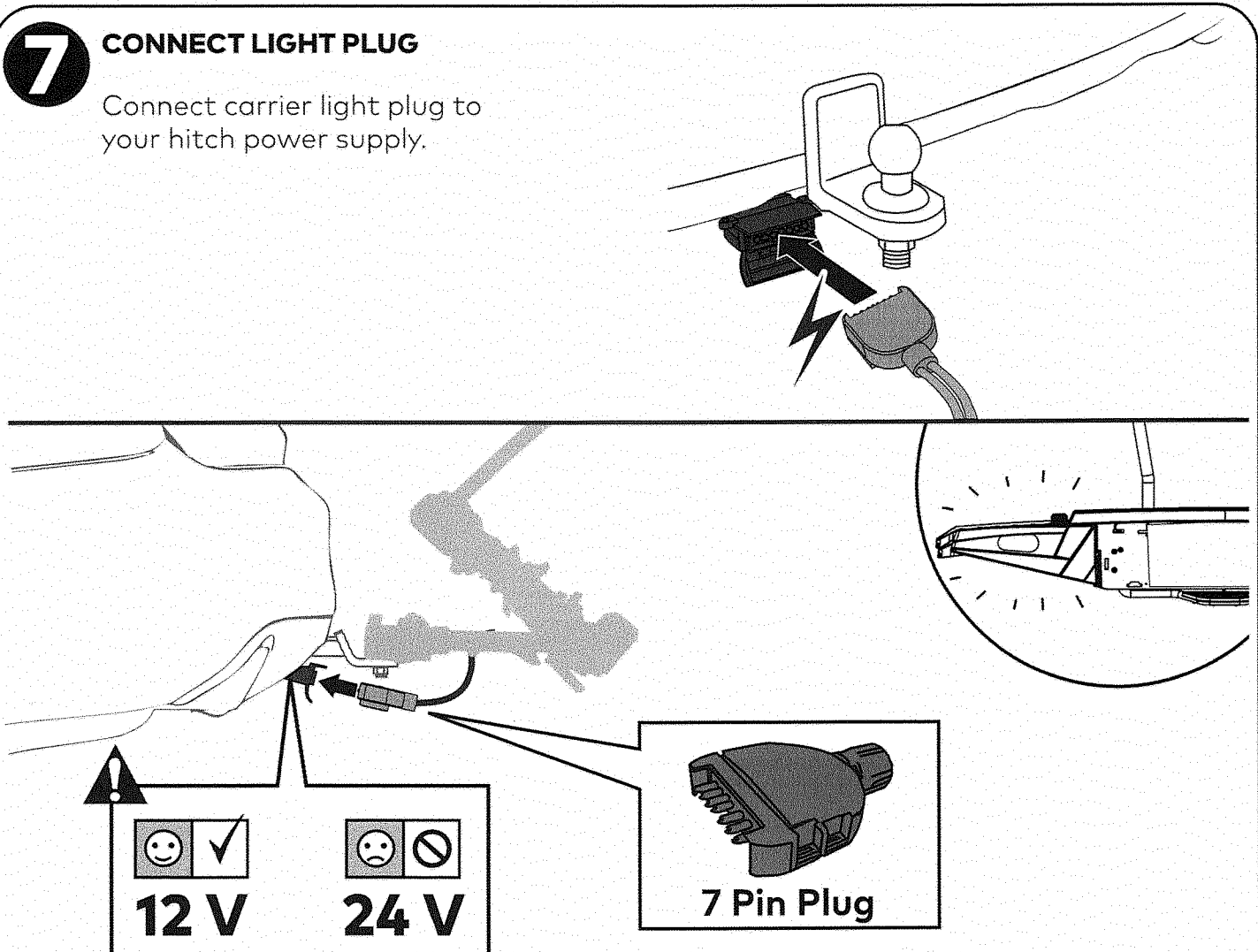
6 TILT CARRIER

Using one foot on the carrier pedal while holding onto the carrier hoop, press to tilt carrier to gain access to the light plug.



7 CONNECT LIGHT PLUG

Connect carrier light plug to your hitch power supply.

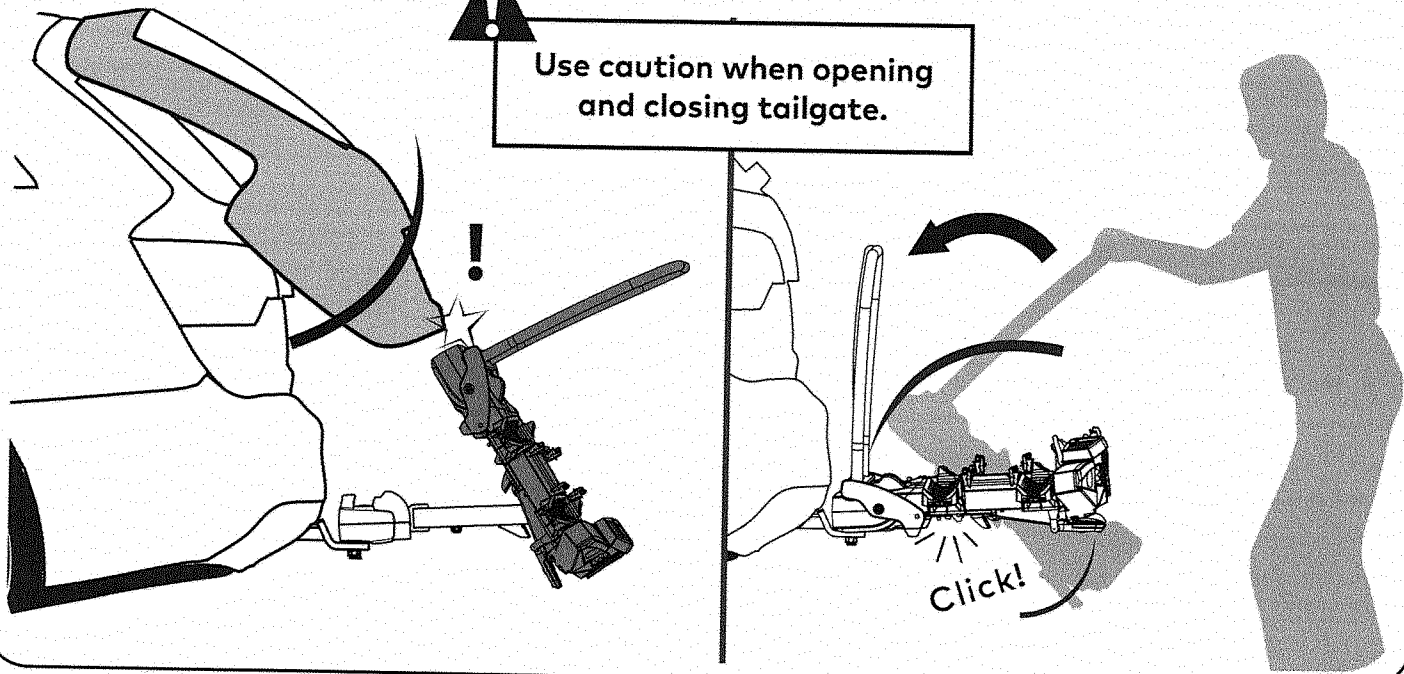


8

REPOSITION CARRIER

Holding onto the carrier hoop, return the carrier to its horizontal position until a "click" is heard.

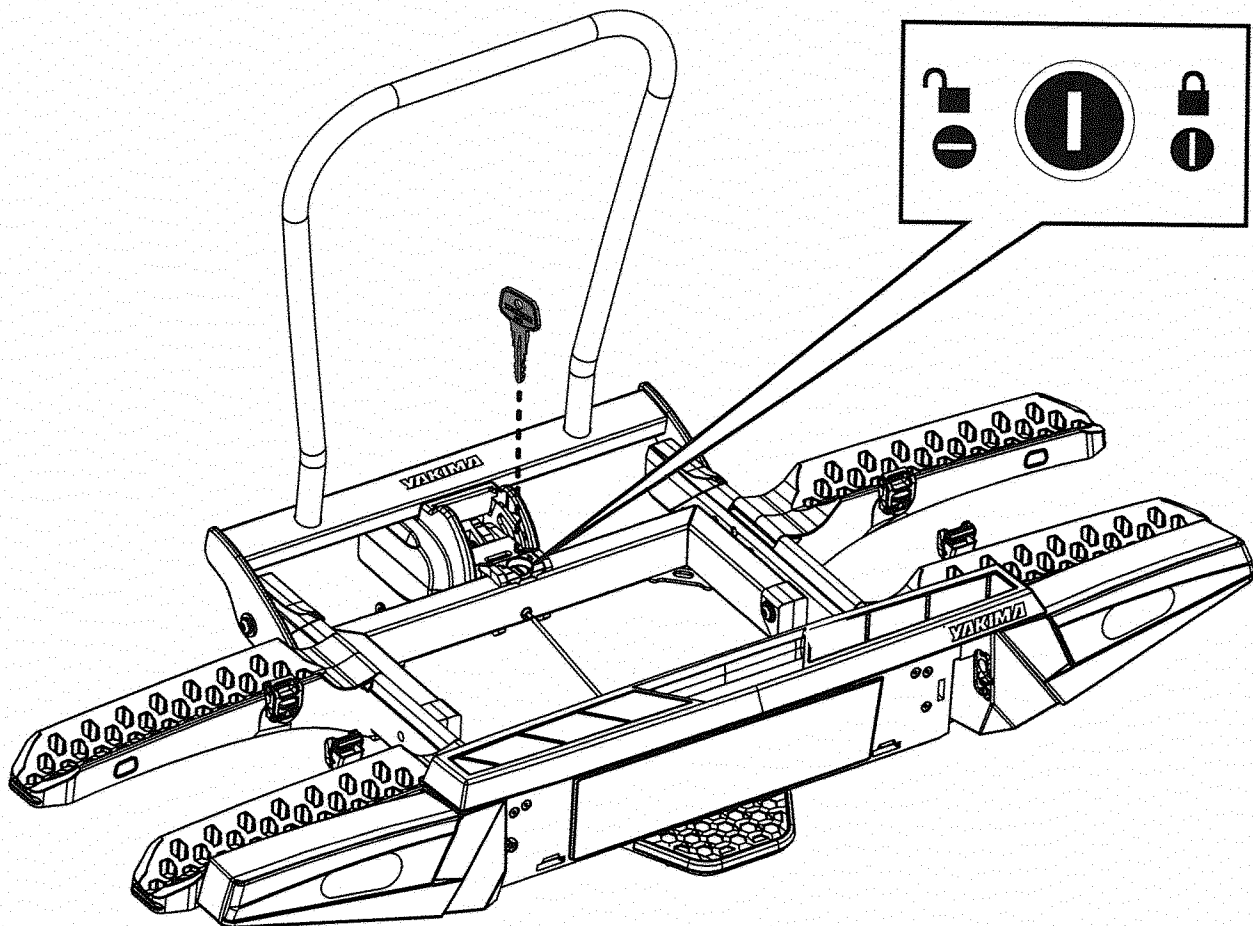
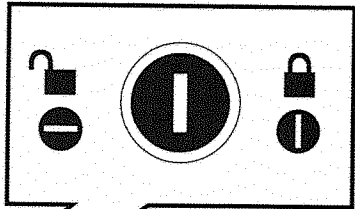
!
Use caution when opening
and closing tailgate.



9

LOCK CARRIER

Lock the carrier to tow ball using the keys provided.

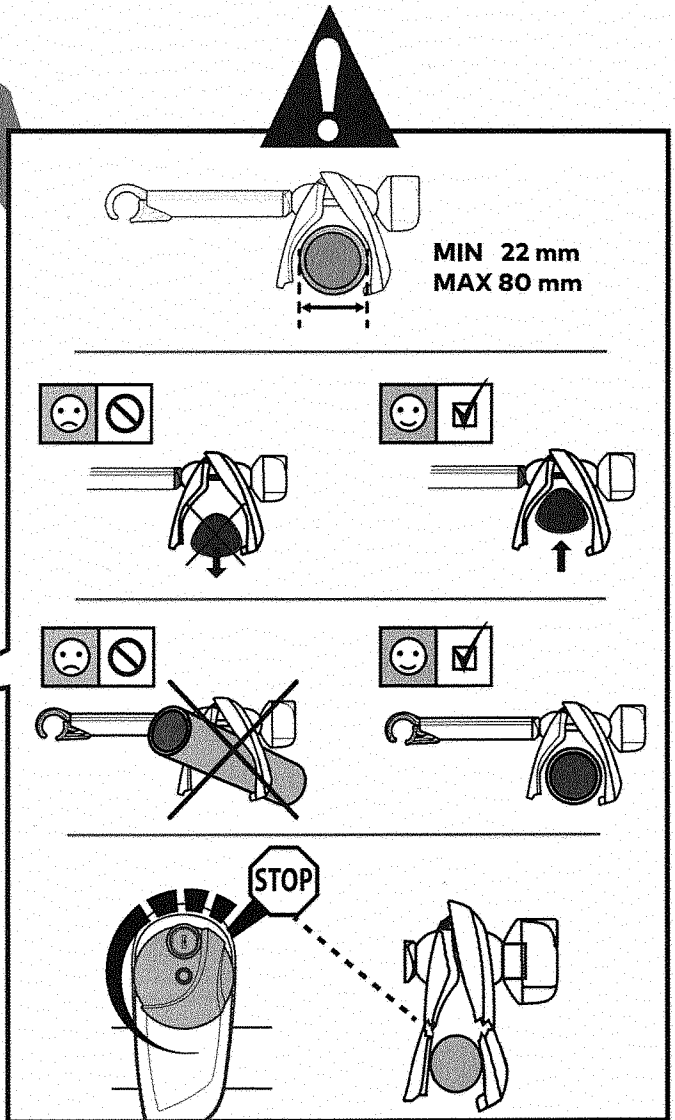
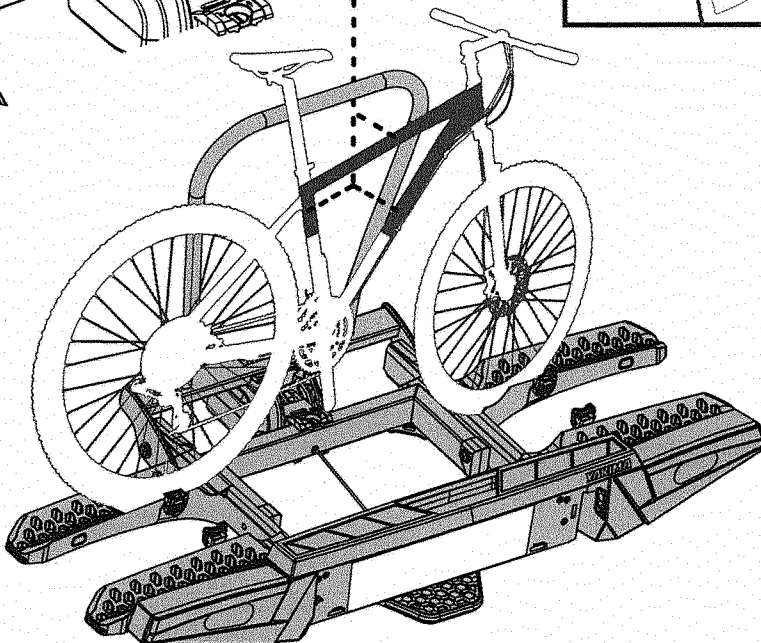
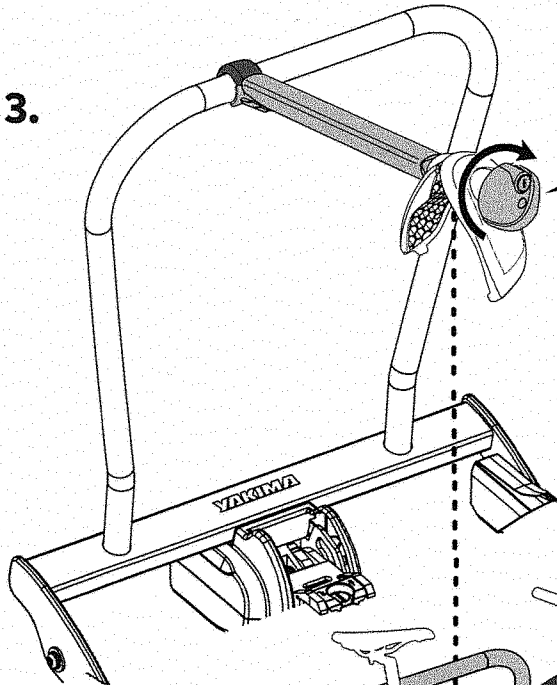
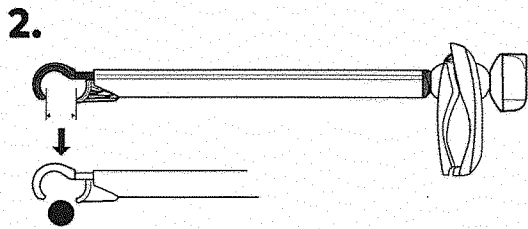
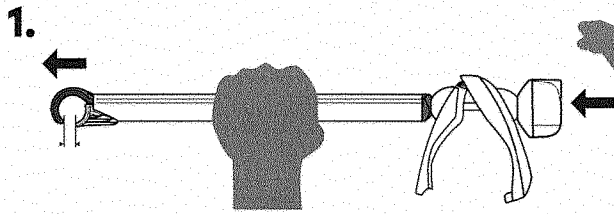


10

ATTACH FRAME GRABS

Press knob of Frame Grabs to expand frame holders (1) and attach to carrier hoop (2).

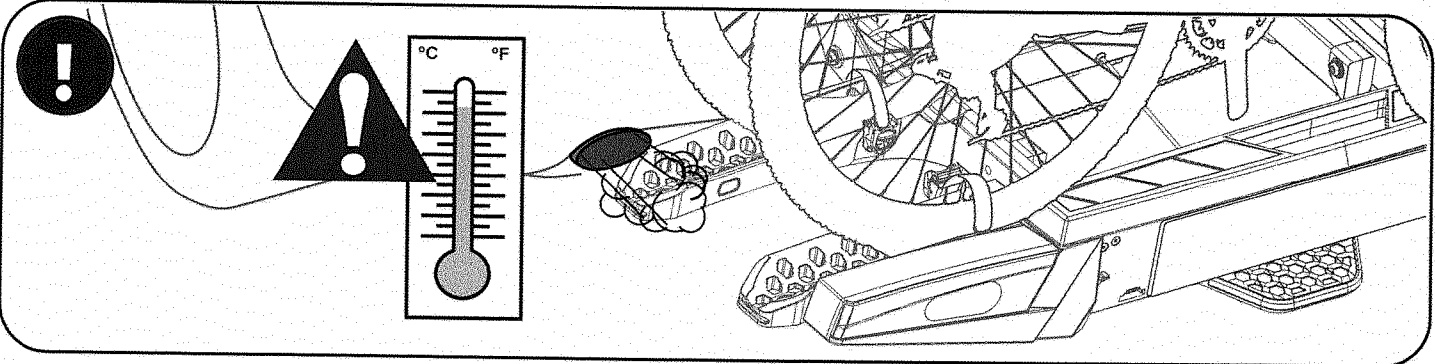
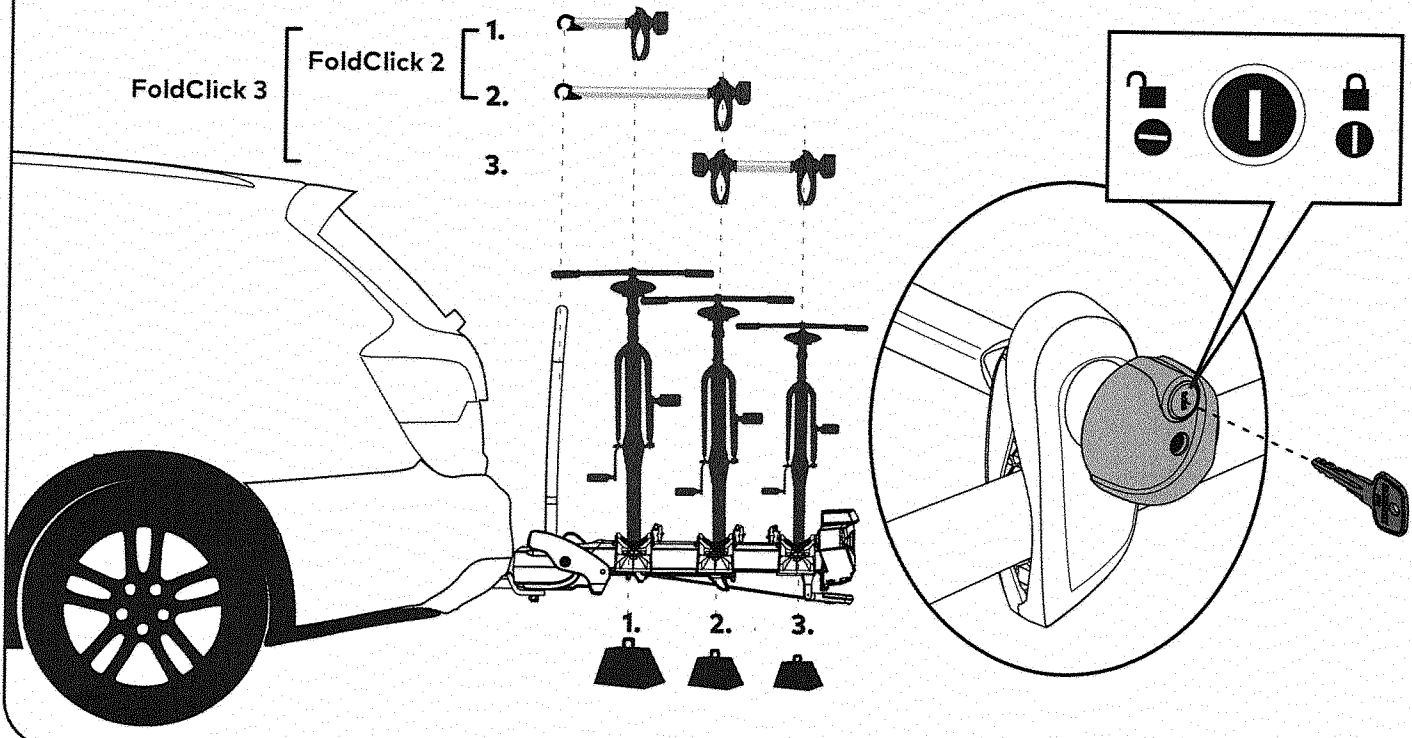
Attach frame clamp to your bike frame and rotate knob clockwise to secure (3).



11

MULTI BIKE CONFIGURATION

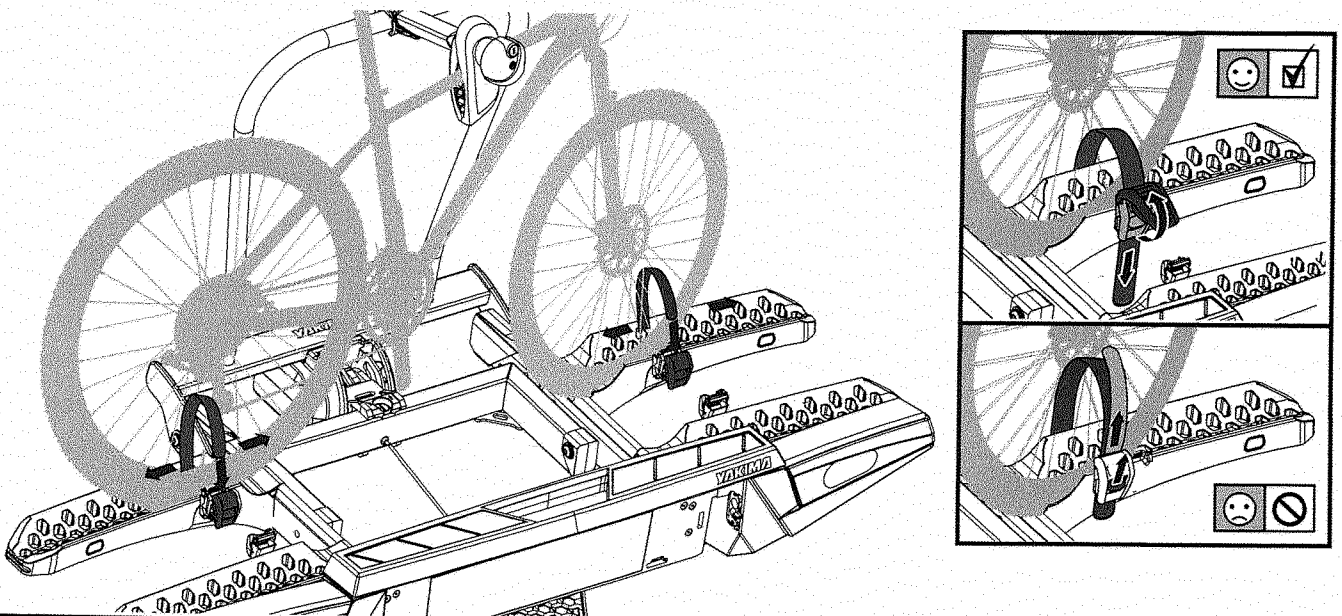
Load heaviest bikes first and lock bikes to carrier.



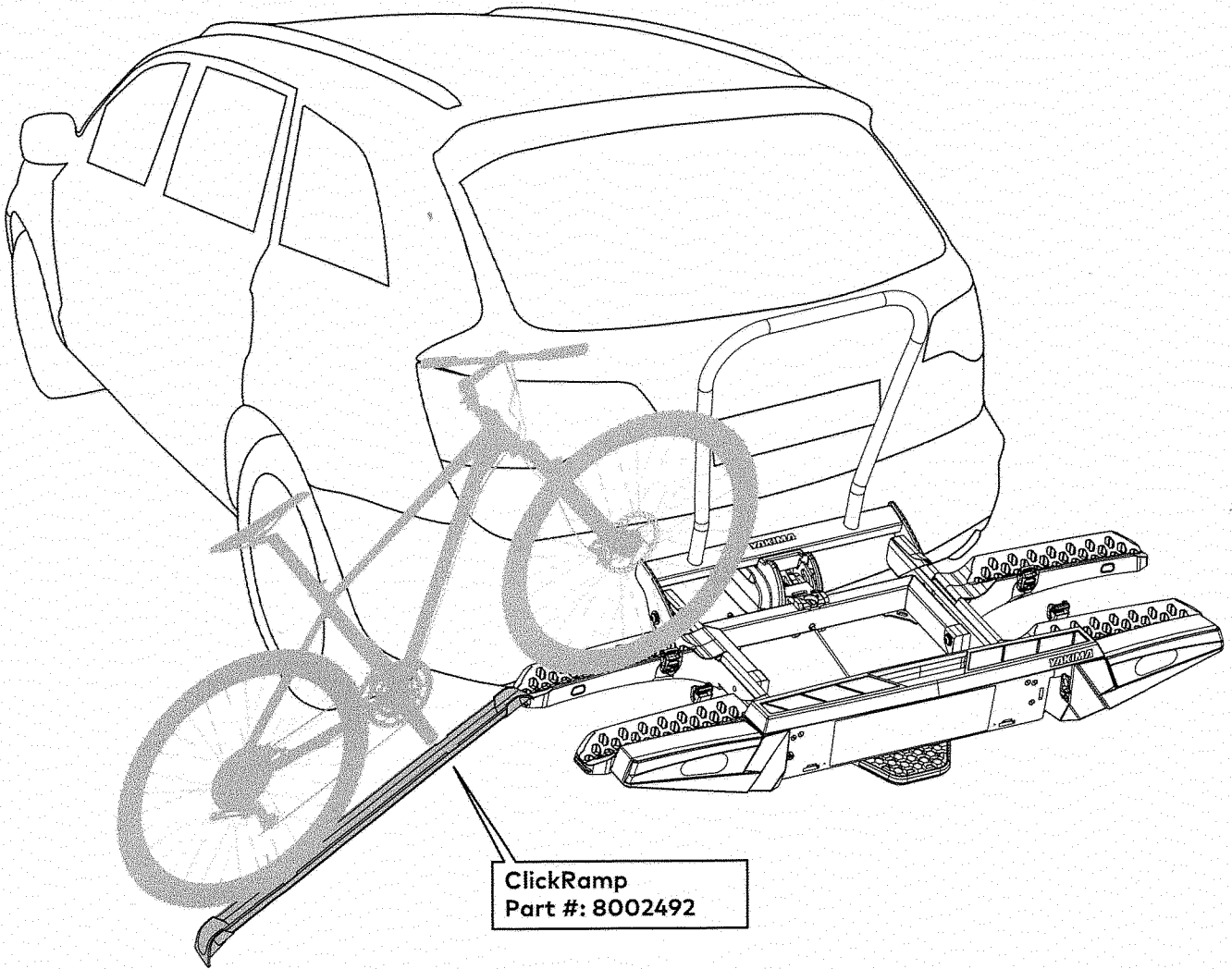
12

SECURE BIKE WITH WHEEL STRAPS

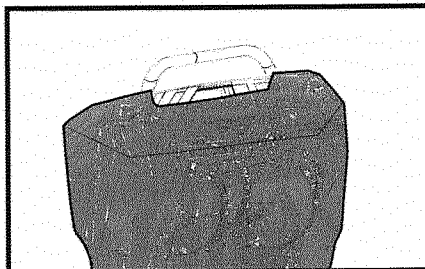
Secure bikes to carrier using the wheel straps and buckles.



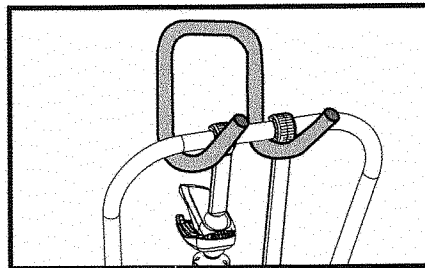
ACCESSORIES



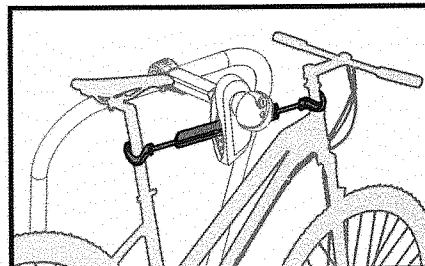
ClickCover
Part #: 8002498



ClickHook
Part #: 8002497

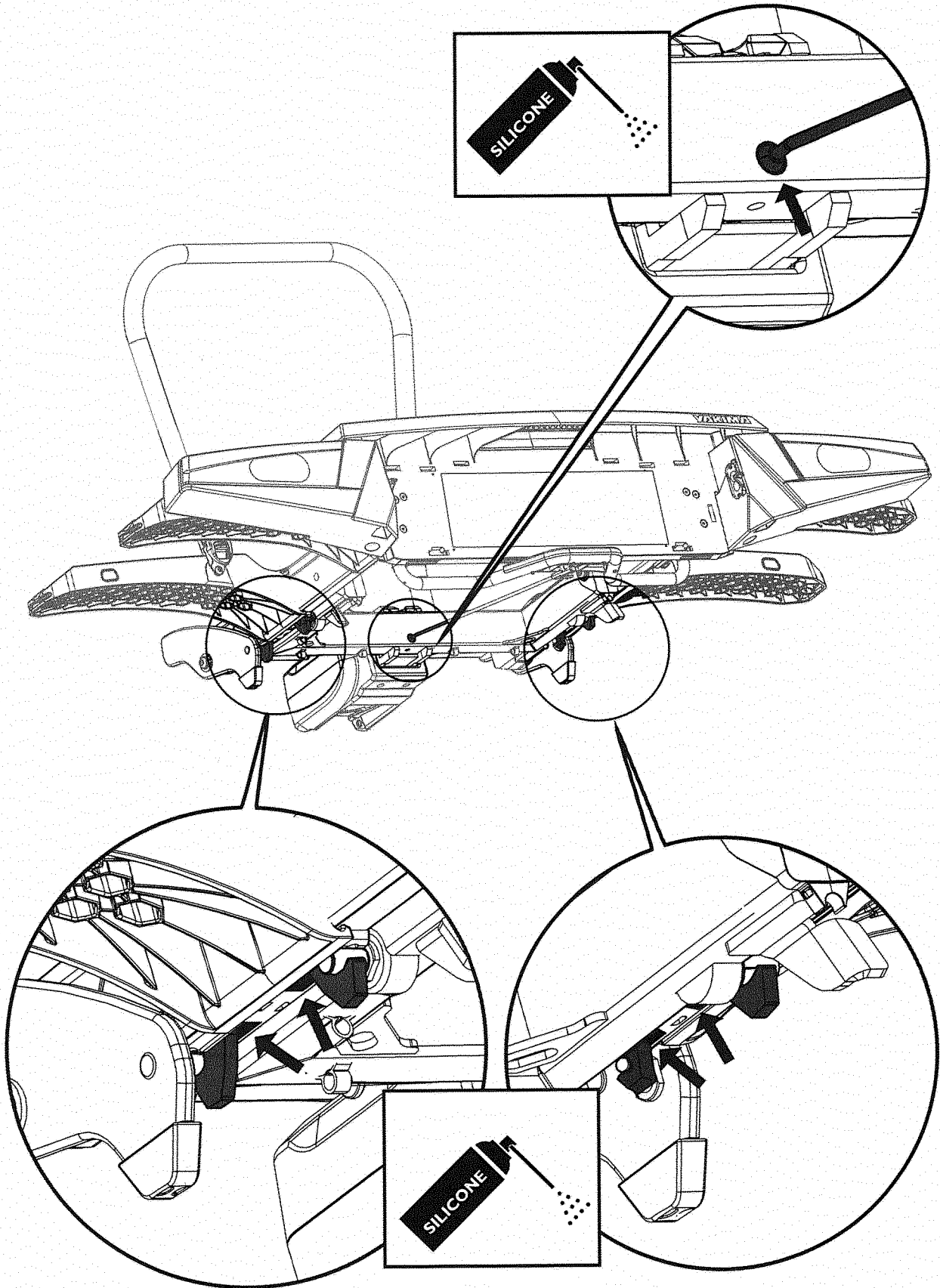


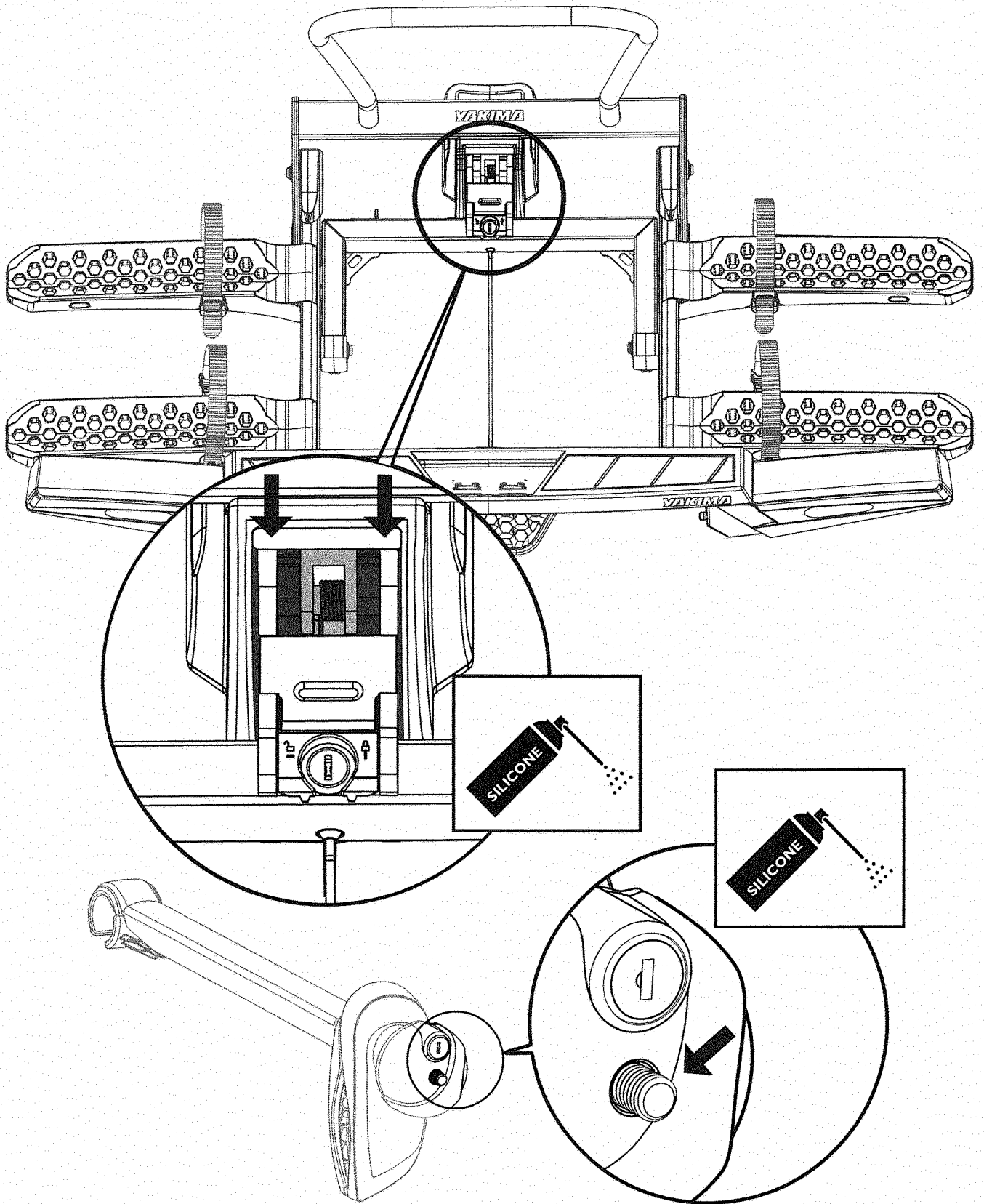
ClickTop
Part #: 8002499



MAINTENANCE

Recommended maintenance to be performed at least every 12 months.





MAINTENANCE

It is important to clean the rack regularly and thoroughly with soap and water. Dry it well afterwards.

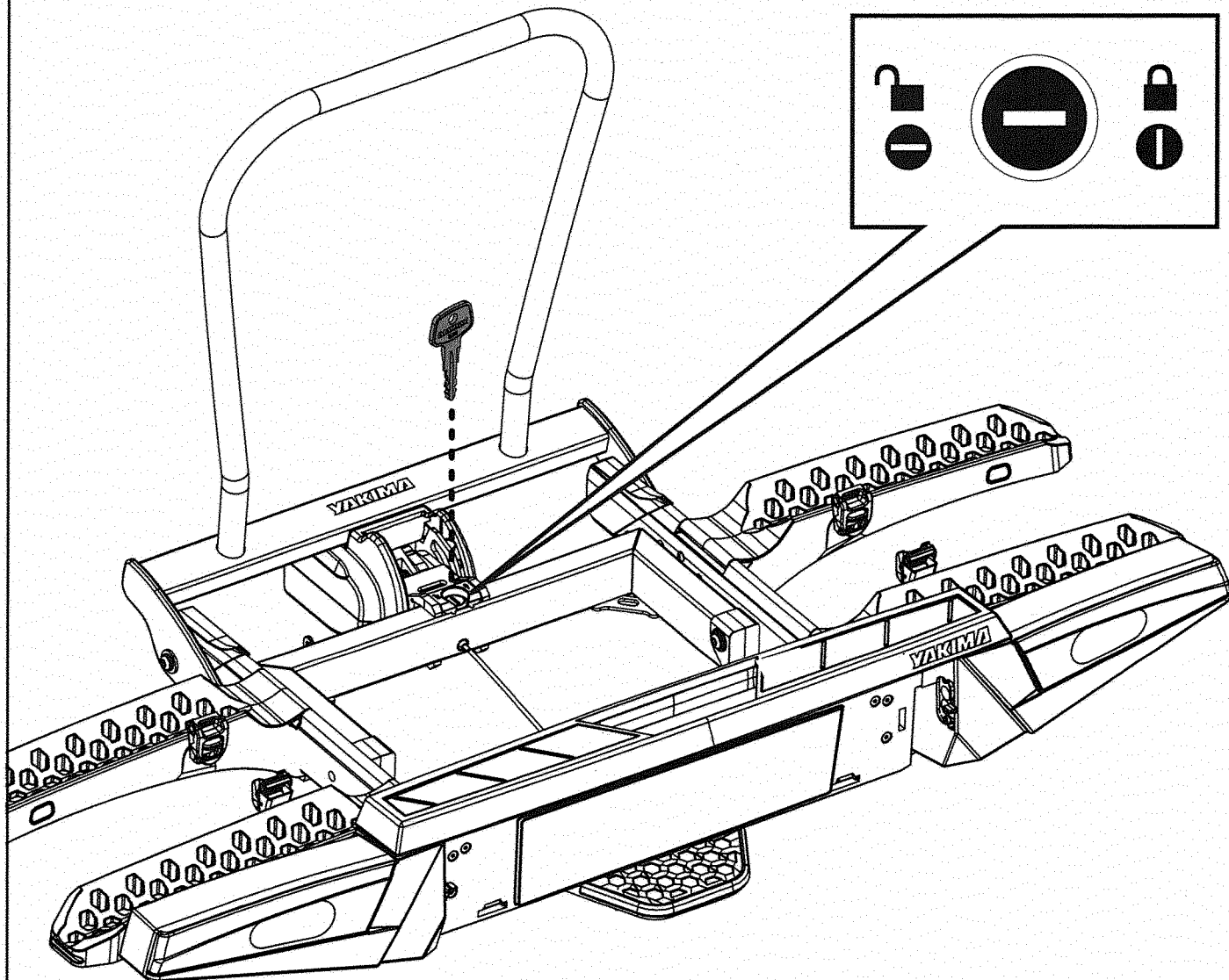
It is also recommended to:

- Clean the ball of the tow bar and the fittings that fasten around the tow bar regularly.
- Liberally spray a lubricant such as silicone:
 - Into all the locks
 - Into the coupling mechanism (above the red/green indication window)
 - Onto both hooks on the left and right on the underside of the bike rack.
 - On the threaded rod of all frame holders.
 - On the plastic piece of the cable to be inserted in the undergear.
- If the carrier is not fully loaded, remove any extra frame grabs and engage all wheel straps.
- Check that the tilt function is engaged correctly before any trip.
- While you are driving, check regularly that the rack and the bikes are still securely fastened.
- Check that the lights are working properly before you set off, even in the daytime.
- Never cover the bike rack and the bikes with a cloth, tarpaulin or similar.
- If the vehicle has an electrical hatch or tailgate, switch it off when using the rack.
- Do not use any spare parts or accessories other than those provided by Yakima. Using other spare parts or accessories will mean that Yakima can no longer accept any liability for damage that may be incurred.
- If the rack is turned with the bikes on it, the frame must always be supported until it has been turned fully into the open position. Allowing it to fall open by itself is to be avoided.
- Attach the heaviest bike as close as possible to the vehicle.
- Ensure the load center of the bikes is as low and close to the tow ball as possible.
- In order to secure your bike against theft we recommend fastening a belt lock around the bikes' frames. Yakima is not liable in case of theft of the support and/or the bikes.
- It is important to always tension the bike frame in the deepest zone of the clamp. If this is neglected, the tension may fall and the frame will come loose. We also urgently recommend using a "bike frame adapter" (see accessories) in case the bike's frame has a large diameter and/or a deviating shape. This regularly happens in case of mountain bikes, but also in ladies bikes or electric bikes.

REMOVAL

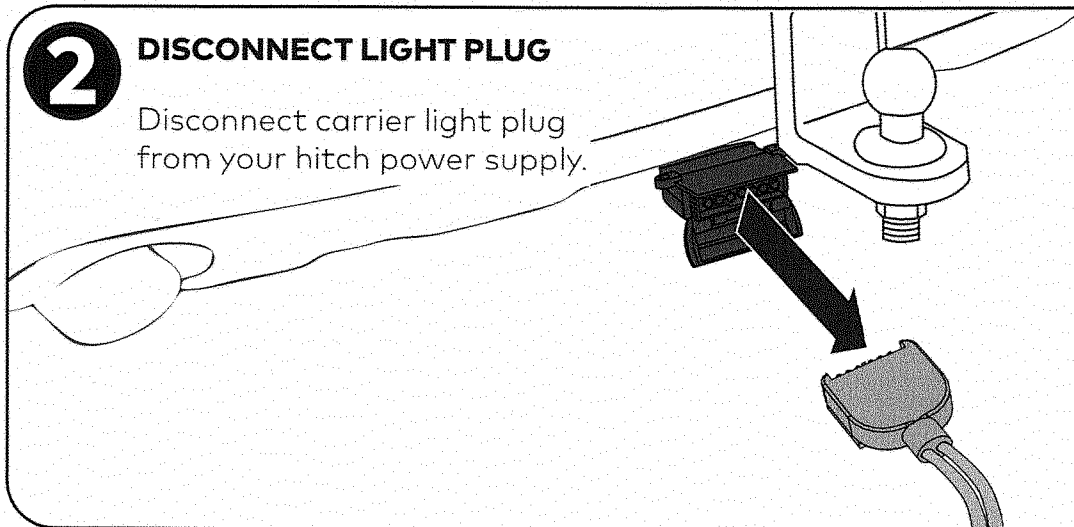
1 UNLOCK CARRIER

Unlock the carrier using the keys provided.



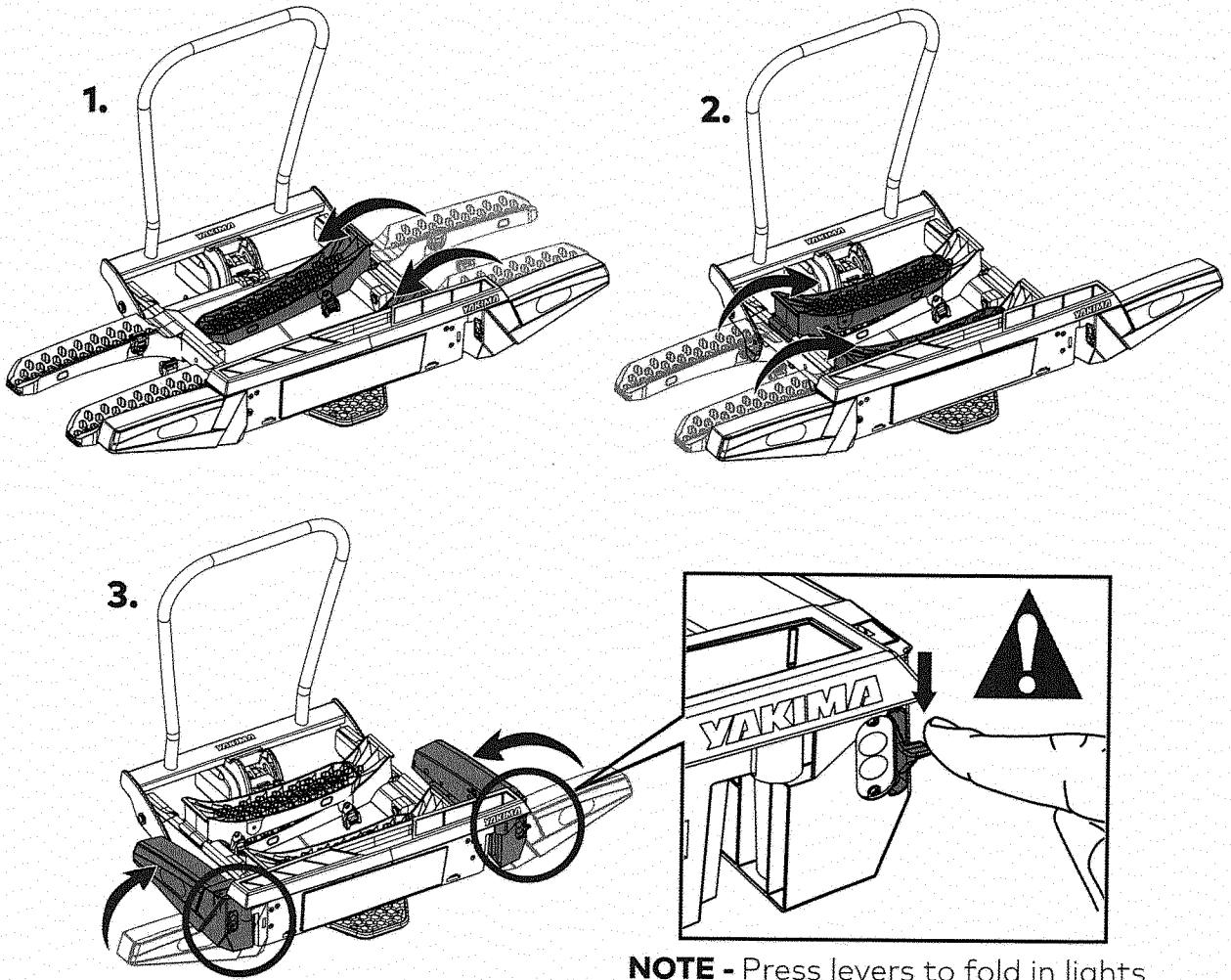
2 DISCONNECT LIGHT PLUG

Disconnect carrier light plug from your hitch power supply.



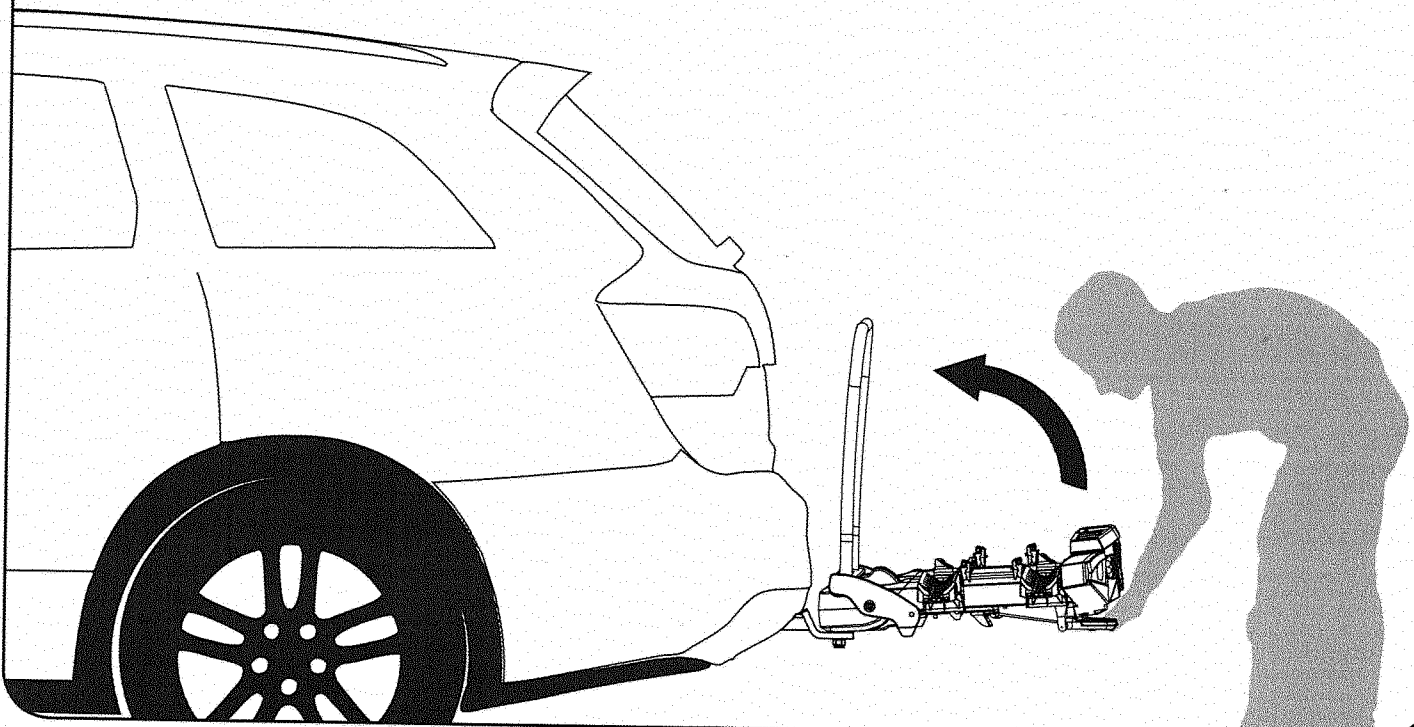
3 FOLD IN LIGHTS AND WHEEL TRAYS

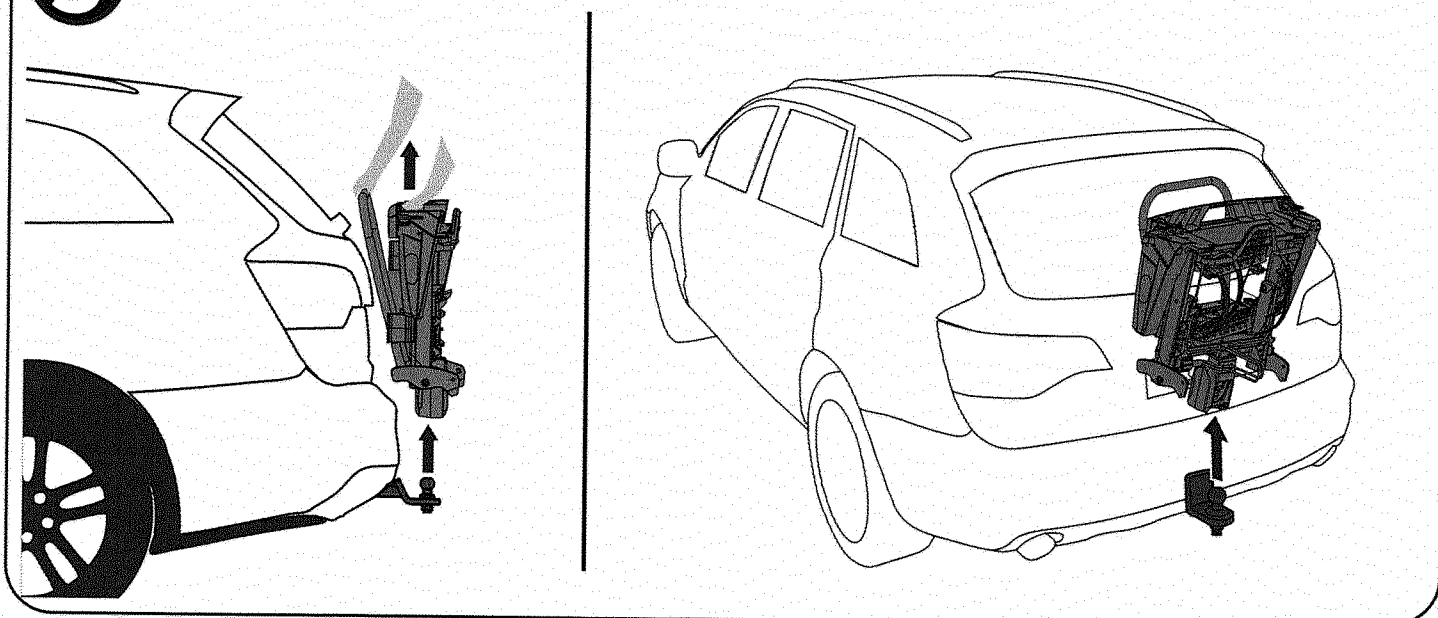
Fold in lights and wheel trays until a "click" is heard.



NOTE - Press levers to fold in lights

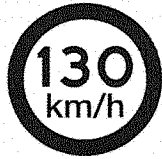
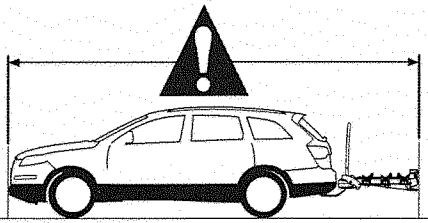
4 FOLD UP CARRIER



5**REMOVE FOLDER CARRIER FROM TOW BALL****SAFETY INSTRUCTIONS**

- Be sure to follow all the guidelines in this manual at all times. If you use the bike rack incorrectly or otherwise than intended your guarantee and the manufacturer's liability for possible damages will no longer apply.
- Yakima is not responsible for personal injuries and/or damage to property or financial loss caused by the incorrect fitting or use of the rack.
- The driver is solely responsible for making sure there is nothing wrong with the rack and that it is properly attached to the tow hook.
- Do not exceed the maximum load specified for the rear axle by the vehicle manufacturer.
- Do not exceed the maximum D value of the tow bar. The D value of the tow bar should be at least 7.6 kN. Refer to the following formulas to convert GK and GA values of older towing hooks into the D value:
$$D = (9.81/1000) \times (G[A] \times G[K]) / (G[A] + G[K])$$

D in [kN], G[A] in [kg], G[K] in [kg]
- Vehicle exhaust can get very hot. Use caution and ensure bike wheels, frames and any other parts do not come into contact with the vehicle exhaust.
- Damaged or worn components must be replaced immediately.
- Do not leave parts like child seats, drink bottles, saddle bags, batteries of e bikes on the bikes during transportation.
- Always lock the bike rack and each frame grab during the journey.
- The ball of the tow hook must not be made of aluminium or GGG 40 material and must be completely free of grease when using the rack.
- Remove the bike rack when you are not using it to reduce fuel consumption. You should also remove the bike rack whenever you go through a car wash.
- The distance between the centre of the brake lights and the outer edge of the bike must not be more than 40 cm.
- Remove any unused items such as frame grabs when not required.



Vehicle Driving and Regulations

- The speed driven must be suited to the load transported and to official speed limits. In the absence of any speed limits, we recommend a maximum speed of 130 km/h.
- When transporting any load, the speed of the vehicle must take into account all conditions such as the state of the road, the surface of the road, traffic conditions, wind, etc. Vehicle handling, cornering, braking and sensitivity to side winds will change with the addition of loads.
- Off-road driving is not recommended and could result in damage to your vehicle or your gear.
- Be wary that the bike rack is extending the rear of the vehicle on a low level which might cause the bike rack to make contact with the ground on speed bumps and steep slopes.
- Do not drive over speed bumps with any speed higher than 10 km/h.
- The number plate of the vehicle will need to be duplicated on the carrier if it is covered by the carrier or its load.
- The third brake light of the vehicle will need to be duplicated if it is covered by the carrier or its load.
- Use caution when reversing as the bike rack may not be able to be seen through the rear window or mirrors. If rear view is obstructed, the vehicle is to be equipped with adequate rear-view mirrors (e.g. exterior rear-view mirror on the right side or trailer rear-view mirror).
- Remove any unused items such as frame grabs when not required.